

Revell

KIT 6722

1/25 SCALE 1/25 ECHELLE ESCALA 1/25



TM

BATBOAT™



6722R4201

"What do you get when three men with six personalities clash in the moonlight of the **Gotham City** nights? A thrilling, action-packed, epic adventure, **BATMAN FOREVER**. Batman and Bruce Wayne are targeted for revenge by two formidable villains, **Two-Face** (former district attorney Harvey Dent) and **The Riddler** (Edward Nygma, an inventor at Wayne Enterprises) respectively. As Batman fights both of these forces, he and Bruce Wayne become entangled with a newcomer to Gotham City, **Dr. Chase Meridian**, a psychologist who specializes in dual personalities. Joining Batman after

the death of his parents and brother in a tragic "accident" at a Gotham City Charity Circus is **Robin**. These two heroes fight together with the aid of newly-designed, better-than-ever costumes and high-tech equipment to bring order back to Gotham City. Gleaming, powerful, beyond high-tech, above imagination, Batman's newly designed vehicles - **Batmobile**, **Batboat**, and **Batwing** roar into action. Arch-villains beware when Batman and Robin are at the controls of these fantastic vehicles, their brand new look giving them an almost organic, living, breathing appearance.

Batman and all related elements are the property of DC Comics TM & ©1995.

REVELL-MONOGRAM INC MORTON GROVE, IL. COPYRIGHT© 1995 ALL RIGHTS RESERVED. MADE IN U.S.A.

READ THIS BEFORE YOU BEGIN

- Study the assembly drawings.
- Each plastic part is identified by a number.
- In the assembly drawings, some parts will be marked by a star (*) to indicate plated plastic.
- Scrape plating from areas to be cemented.
- Check the fit of each piece before cementing into place.
- Do not use too much cement to join parts.
- Use only cement for polystyrene plastic.
- Model may be painted to match photos on box.
- Scrape paint from areas to be cemented.
- For better paint and decal adhesion, wash the plastic parts in a mild detergent solution. Rinse and let air dry.

LEA ESTO ANTES DE EMPEZAR

- Estudie los dibujos de ensamblaje.
- Cada pieza de plástico se identifica por un número.
- En los dibujos de ensamblaje, algunos números de las piezas están marcados con una estrella (*) para indicar plástico laminado.
- Raspe el laminado de las superficies que serán pegadas.
- Verifique que cada pieza encaje bien antes de pegar en posición.
- No use demasiado pegamento para unir las piezas.
- Use únicamente pegamento para plástico de poliestireno.
- El Modelo puede pintarse de acuerdo con las fotografías de la caja.
- Permita que se seque la pintura completamente antes de fijar las piezas.
- Raspe la pintura de las superficies que serán pegadas.
- Para una mejor fijación la pintura y de las calcomanías, lavense las piezas plásticas en una solución de detergente suave. Enjuáguese y dejense secar al aire.

LISEZ CE QUI SUIT AVANT DE COMMENCER LE MONTAGE

- Etudier les schémas d'assemblage.
- Chaque pièce plastique porte un numéro d'identification.
- Sur les schémas d'assemblage les pièces dont le numéro comporte une astérisque (*) sont en plastique chromé.
- Grattez le chromage sur les surfaces à coller.
- Contrôler que chaque pièce soit bien conforme avant de la coller à sa place.
- N'utilisez pas trop de colle pour réunir les pièces.
- Utilisez uniquement une colle spéciale pour polystyrène.
- Le modèle peut être conformément aux photos sur la boîte.
- Laissez sécher la peinture complètement, avant de manipuler, les pièces.
- Grattez la peinture sur les surfaces devant être collées. Pour assurer la meilleure adhésion possible de la peinture et des décalcomanies, lavez les pièces de plastique avec une légère solution savonneuse. Rincez et laissez sécher à l'air.

FLAT BLACK	NOIR TERNE	NEGRO APAGADO
SILVER	ARGENT	PLATA
GOLD	DORE	DORADO



REMOVE AND THROW AWAY
A RETIRER ET JETER
QUITE Y TIRE



DECAL (DIP IN WATER)
DECALCOMANIE (À PLONGER DANS L'EAU)
DECALCOMANIA (MOJÉ CON AGUA)

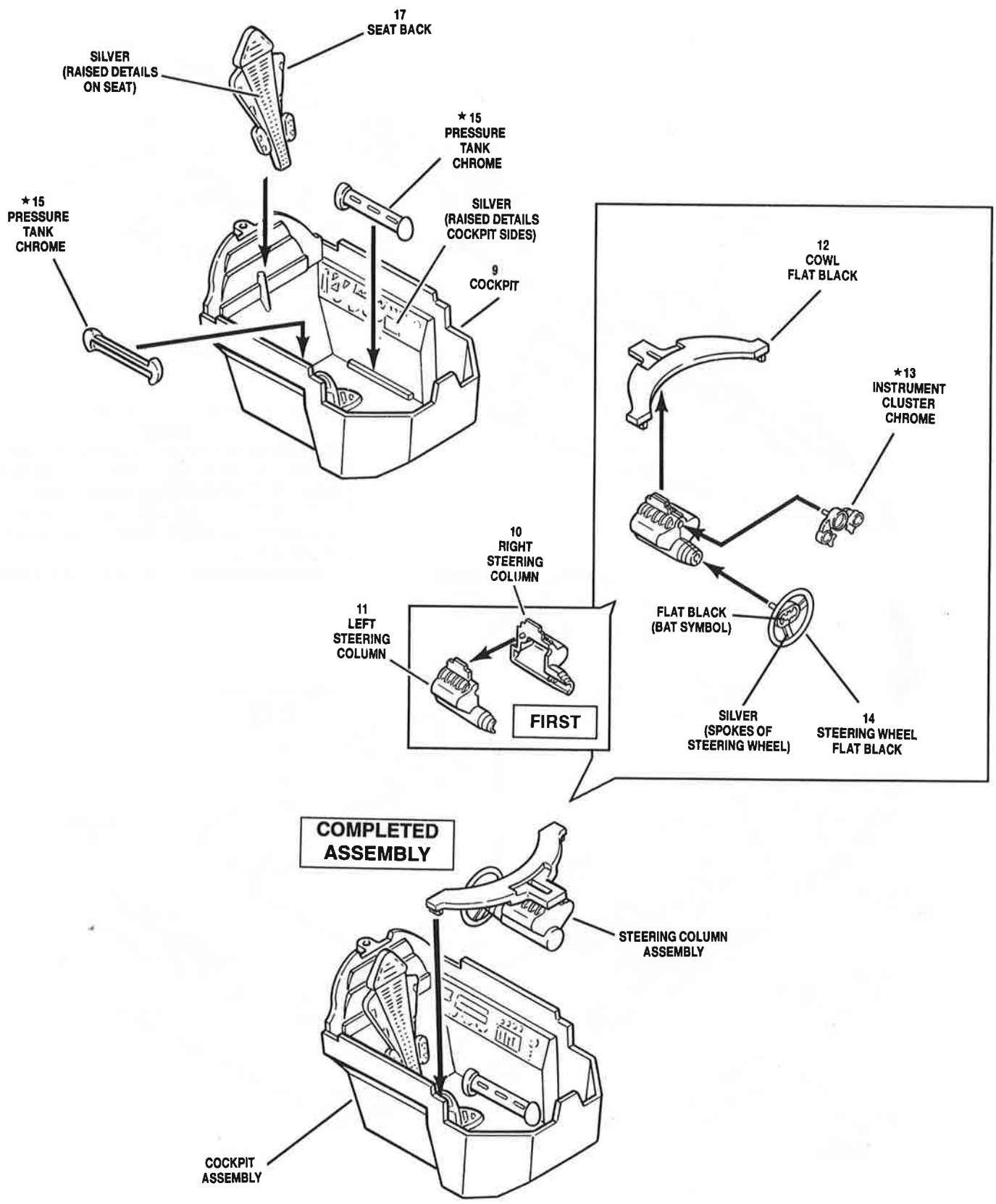
If you have any problems building this model, call our modeling tips hotline at: **(800) 833-3570**

Revell Model Kits has put forth every effort to create and manufacture the finest model kit available. If a part may be missing, please write to:

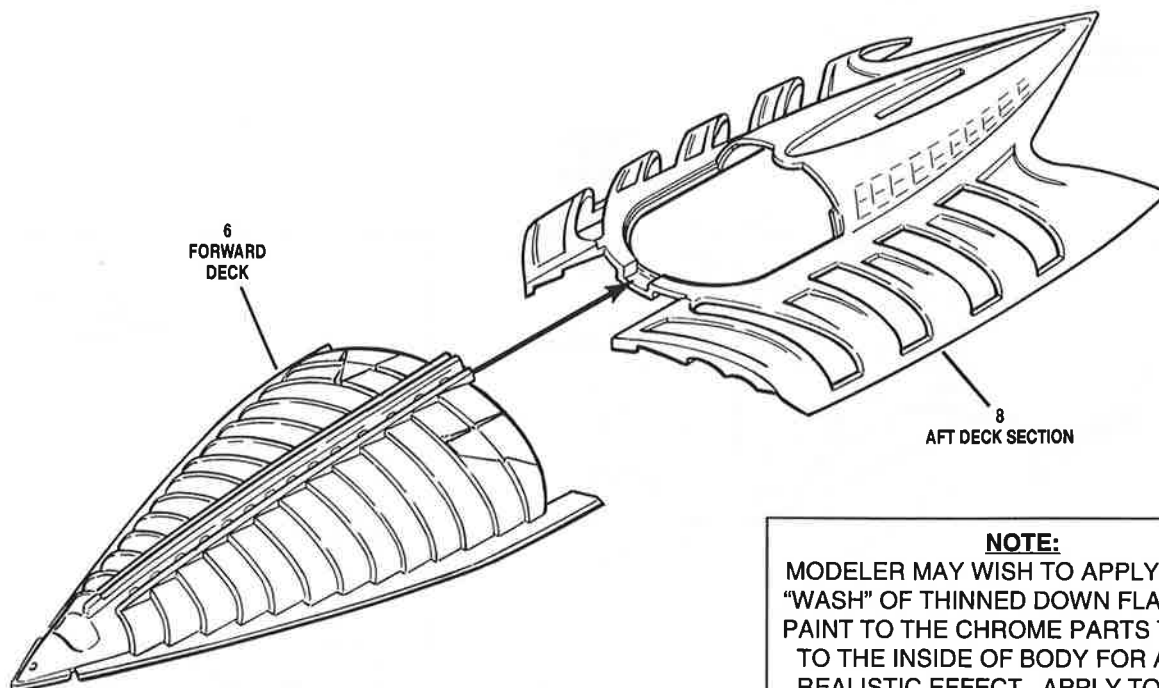
Revell Model Kits
Consumer Service Department
301 North Third Avenue
Des Plaines, Illinois 60016

Be sure to include the kit number, part number, description, and your return address.

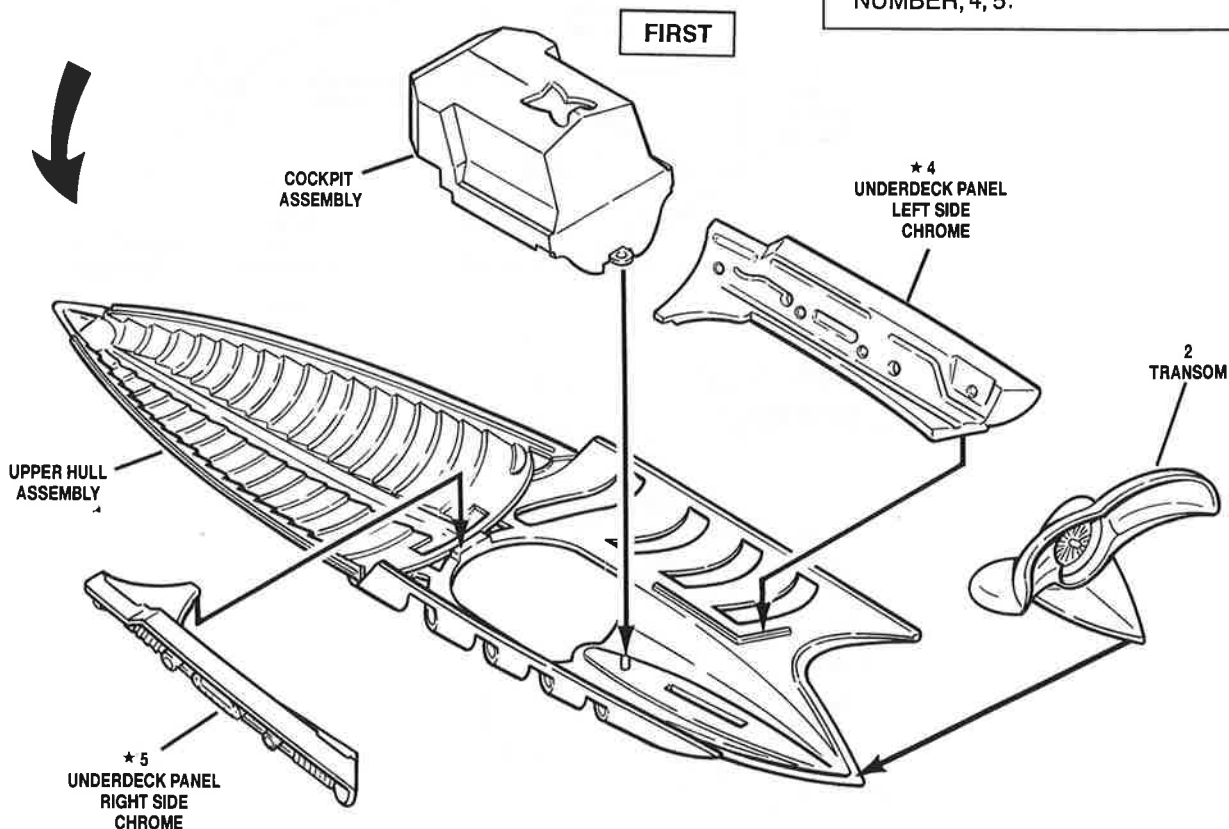
1 COCKPIT ASSEMBLY



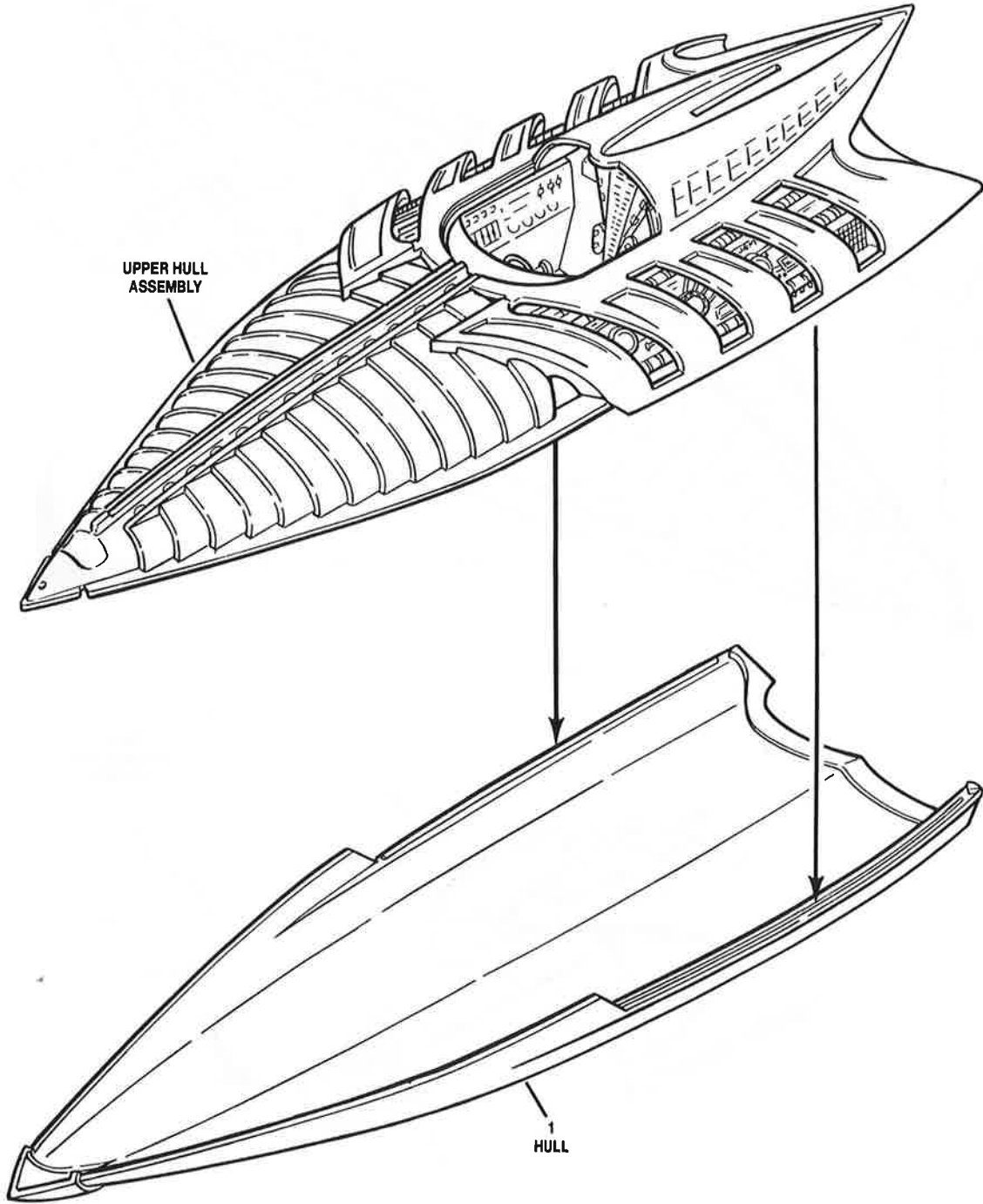
2 UPPER HULL ASSEMBLY



NOTE:
MODELER MAY WISH TO APPLY A LIGHT "WASH" OF THINNED DOWN FLAT BLACK PAINT TO THE CHROME PARTS THAT FIT TO THE INSIDE OF BODY FOR A MORE REALISTIC EFFECT. APPLY TO PARTS NUMBER, 4, 5.

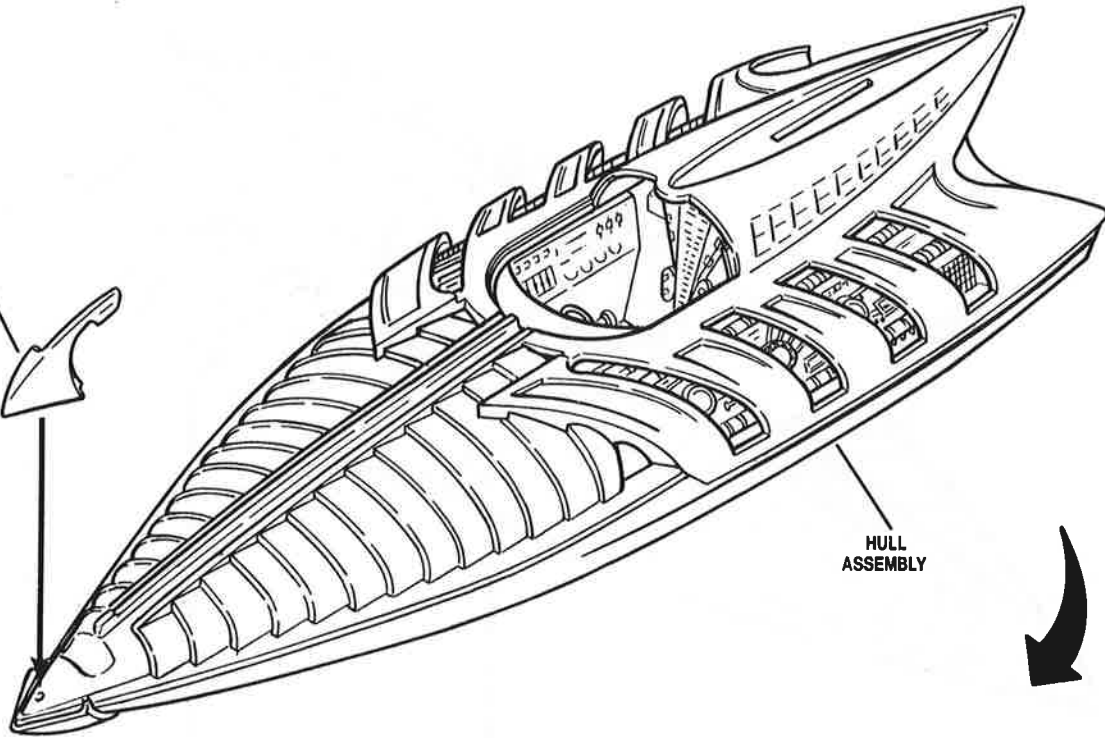


3 HULL ASSEMBLY



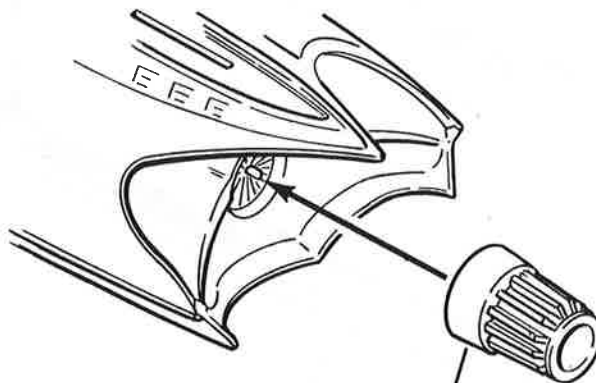
4 HULL ASSEMBLY

7
BOW CAP



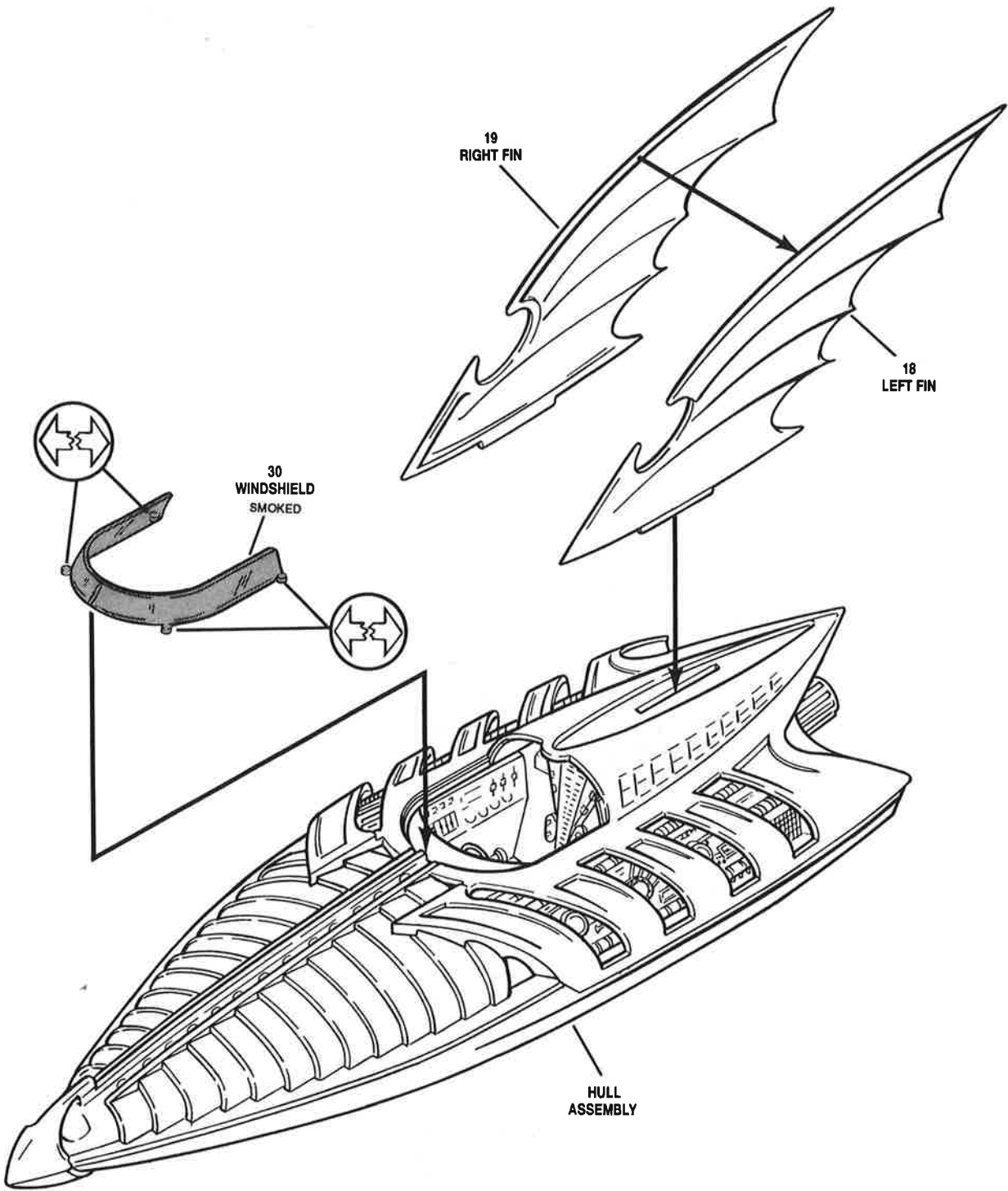
HULL
ASSEMBLY

GOLD
(RECESSES IN
TAIL PIPE)



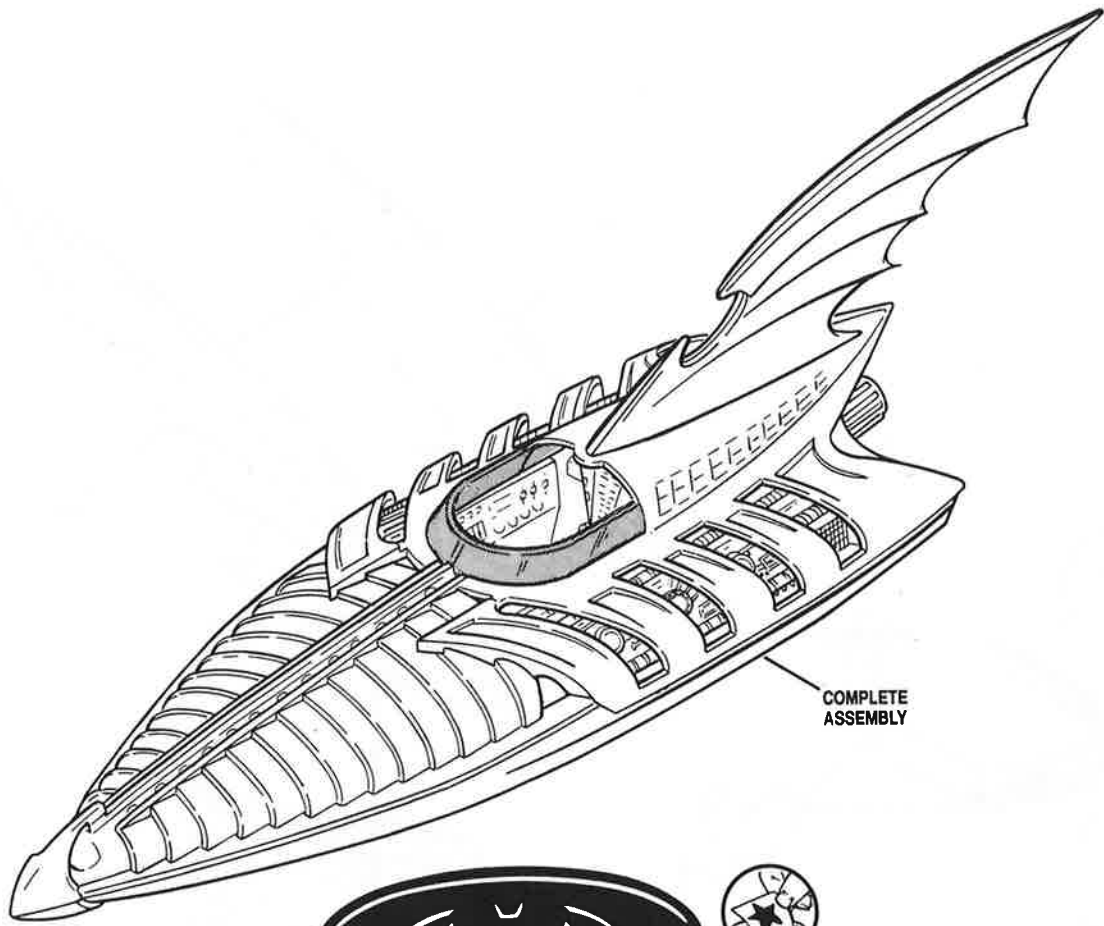
* 3
TAILPIPE
CHROME

5 HULL ASSEMBLY

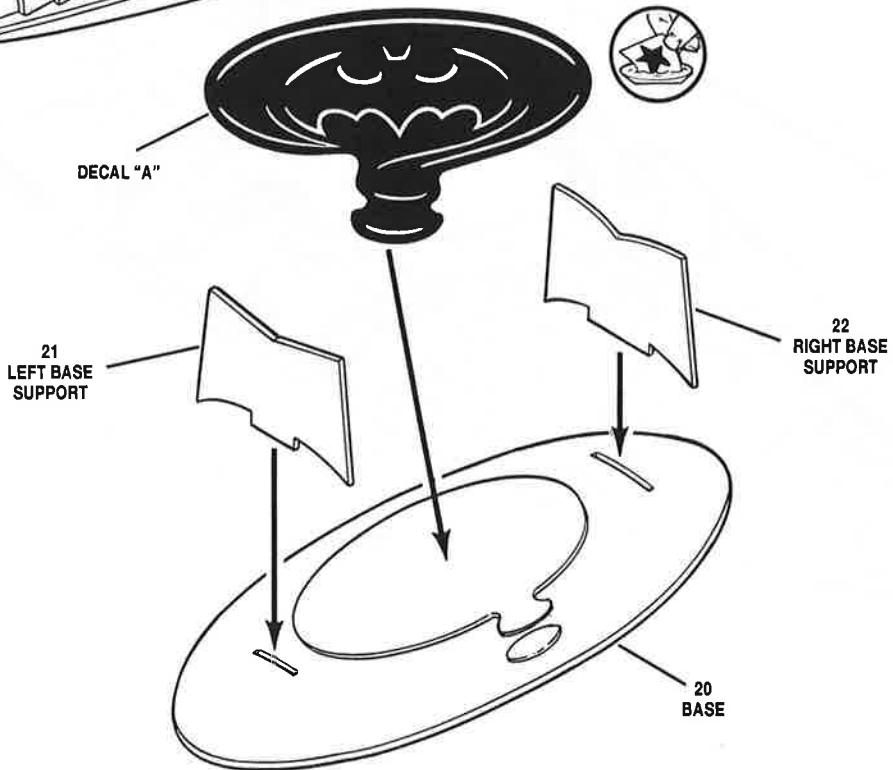


6

BASE/FINAL ASSEMBLY



COMPLETE ASSEMBLY



DECAL "A"

21
LEFT BASE
SUPPORT

22
RIGHT BASE
SUPPORT

20
BASE