

## INTRODUCTION

Thank you for purchasing ParaGrafix's photoetched enhancement set for the Moebius Models 1:350 scale Seaview model kit. We have made every effort to ensure that these parts can be used successfully by a modeler of modest experience, but there may be items that require advanced modeling techniques. For a basic primer on the use of photoetch, please visit [http://www.starshipmodeler.com/tech/jl\\_pe.htm](http://www.starshipmodeler.com/tech/jl_pe.htm) and other resources available on the web.

## Materials

In addition to the photoetch, you will also need scissors or a knife\* to remove individual pieces from the main fret, a file\*\* to remove material left from cutting, and super glue (aka CA or cyanoacrylate). Additionally, to fold some pieces, you will need a pair of razor blades\*\*\* or a specialty tool such as an Etchmate 3C from Mission Models.

\* We prefer a #17 Xacto chisel blade.

\*\* Tamiya makes an excellent random surfaced "diamond" file that is ideal for adjusting photoetch.

\*\*\* Extreme care must be taken when using razor blades. Risk of serious injury.

Remove locator tab.  
File down or snip off.  
Both sides.

Wider leg to port side →  
(wall with reel  
computer drives).

## Observation Lounge With Flying Sub Bay

If including the Flying Sub bay (etch part 4) cut out bay doors from kit part 4 as shown.

Note the small indentations on the top of the sub bay - use a pencil to draw the lines shown in the figure to aid in centering the observation lounge.

## Without Flying Sub Bay

Combine assemblies A and B before adhering to the lower hull (kit part 4).

## Common

To make assembly easier, tape together kit parts 1, 4, and 30 (window) as shown and test position the assemblies before gluing. The observation lounge (A) should fit up snugly to the windows.

## Tip

A couple of crew members (not numbered) can be put in the observation lounge.

## Key

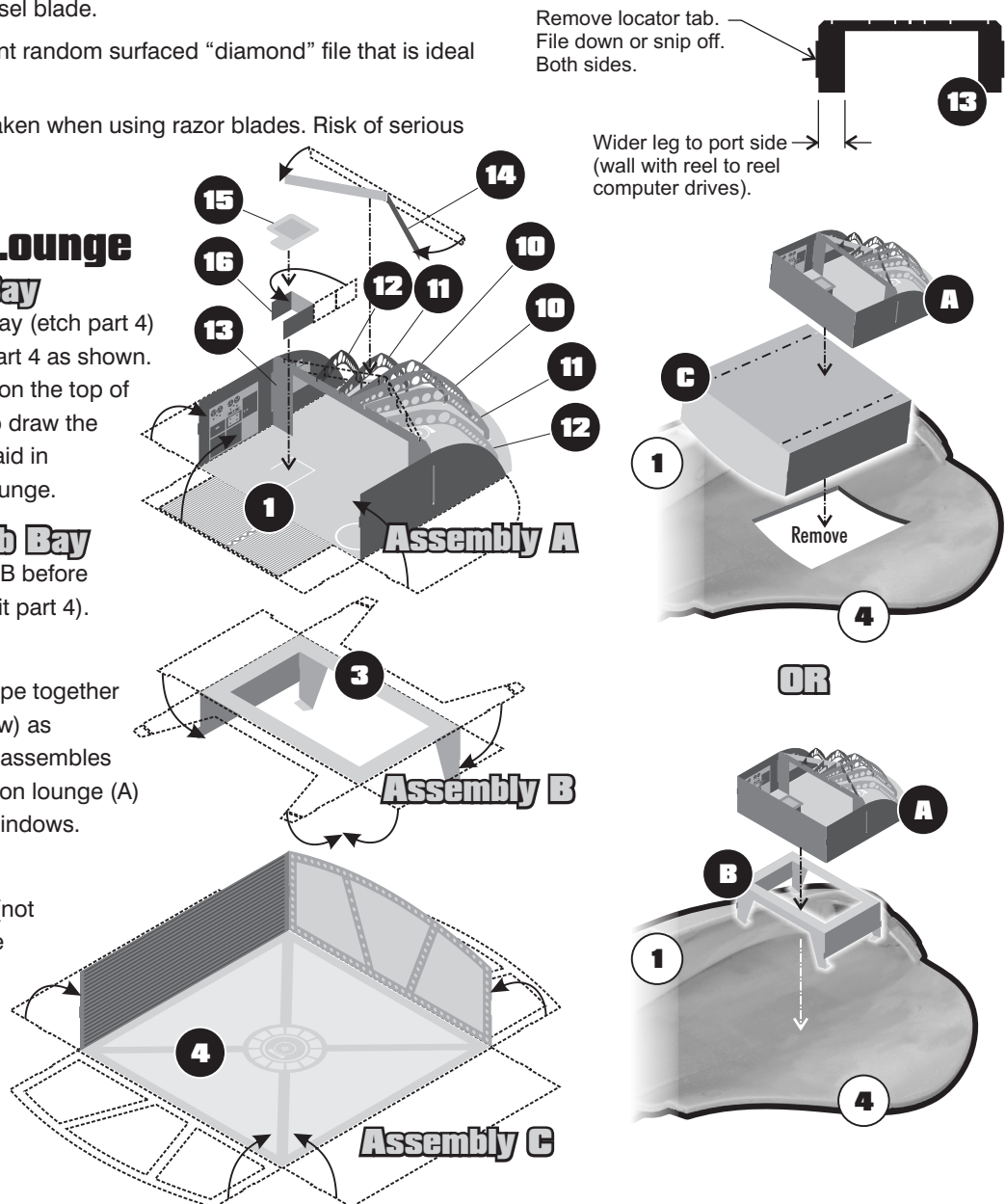
Kit part (plastic):



Photoetched part:



Assembly:



# Exterior

## Limber Holes (etch parts 19 & 20)

The limber holes are designed according to the 17' filming miniature - being raised up from the surface of the kit is accurate and there is no need to "feather" the photoetch pieces with putty or file out recesses for them.

Fill the kit limber holes as shown. For added accuracy, you can cut out the kit limber holes as shown, and add a piece of curved plastic or 1" (25mm) diameter tubing inside the kit to simulate the pressure hull.

**NOTE:** Although the brass is very flexible, annealing the limber hole pieces will help ensure that they lie flat to the hull and do not want to spring off of the model. **DON'T PANIC!** Annealing simply means heating the metal (on a stove top burner, under the broiler, or with a handheld torch) and letting it cool slowly. The brass will discolor during this operation, but will not be damaged. Be extremely careful to avoid burns.

## Radar Antenna (etch part 7 or 8)

Remove the antenna from kit part 23 and replace with either etch part 7 or 8. Etch part 7 matches the orientation of the filming miniature, while 8 matches the studio drawings.

## Sail Ladder (etch part 9)

Use the etch ladder in place of kit part 24.

## Sail Doors (etch parts 6)

Remove the kit doors by filing or sanding, and replace with the supplied doors. The etched doors match those of the full-sized set.

## Cleats (etch parts 5) Optional

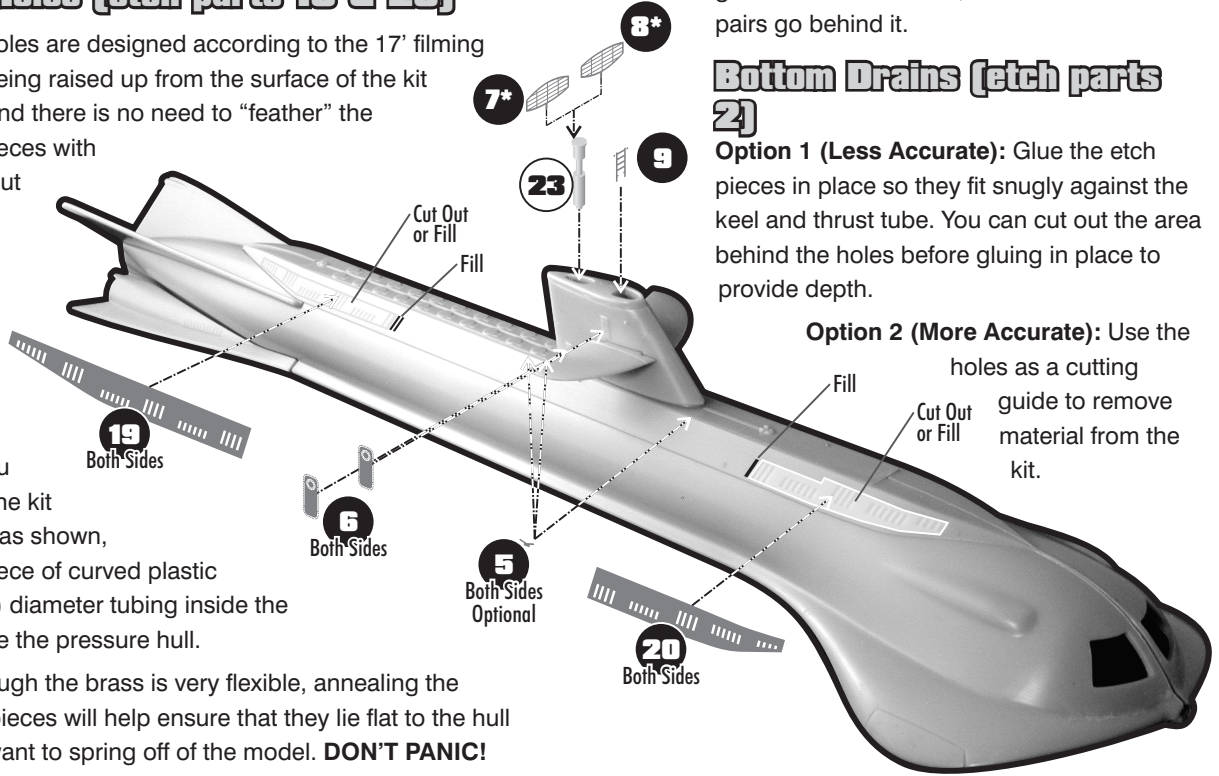
Only seen on the full-sized set, one pair of cleats

goes in front of the sail, while the other two pairs go behind it.

## Bottom Drains (etch parts 2)

**Option 1 (Less Accurate):** Glue the etch pieces in place so they fit snugly against the keel and thrust tube. You can cut out the area behind the holes before gluing in place to provide depth.

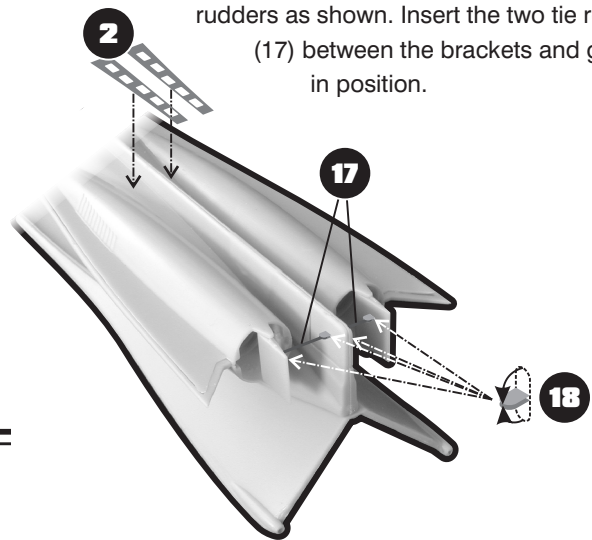
**Option 2 (More Accurate):** Use the holes as a cutting guide to remove material from the kit.



## Rudder Tie-Rods (etch parts 17 & 18)

Fold the four brackets (18) and glue to the three

rudders as shown. Insert the two tie rods (17) between the brackets and glue in position.



THE FANTASY WORLDS  
OF IRWIN ALLEN®

**PGMS**  
**ParaGrafix**  
**Modeling Systems**

148 Rocklawn Ave.  
Attleboro MA 02703 USA  
+1 508-431-9800  
www.ParaGrafix.biz

Thank you to Frank Winspur and Dave Metzner of Moebius Models for making such a great kit, for their help and encouragement during the development of this add-on set, and most importantly lending us a pre-release copy of the model so that we could have this add-on set available when the kit launches. Thank you to Gary Kerr and David Merriman for their excellent advice on what enhancements to include and their expertise on the subject which they were more than generous in sharing. Extra-special thanks to Gary Kerr for his above-and-beyond research and photo annotations.

"Voyage to the Bottom of the Sea"™ is © Irwin Allen Properties, LLC and Twentieth Century Fox Film Corporation. Licensed by Synthesis Entertainment. All Rights Reserved.

"The Fantasy Worlds of Irwin Allen"® is a registered trademark of Synthesis Entertainment. All Rights Reserved. ParaGrafix and PGMS are TM Paul H. Bodensiek. All Rights Reserved.